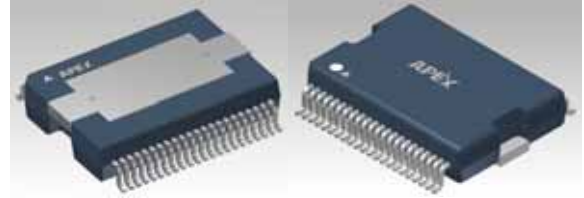


3 Phase Switching Amplifier

RoHS
COMPLIANT

FEATURES

- Low Cost 3 Phase Intelligent Switching Amplifier
- Directly Connects to Most Embedded Micro-controllers and Digital Signal Controllers
- Integrated Gate Driver Logic with Dead-time Generation and Shoot-through Prevention
- Wide Power Supply Range (8.5V to 60V)
- Over 15A Peak Output Current per Phase
- Independent Current Sensing for Each Output
- User Programmable Cycle-by-Cycle Current Limit Protection
- Over-Current and Over-Temperature Warning Signals



APPLICATIONS

- 3 Phase Brushless DC Motors
- Multiple DC Brush Motors
- 3 independent Solenoid Actuators

DESCRIPTION

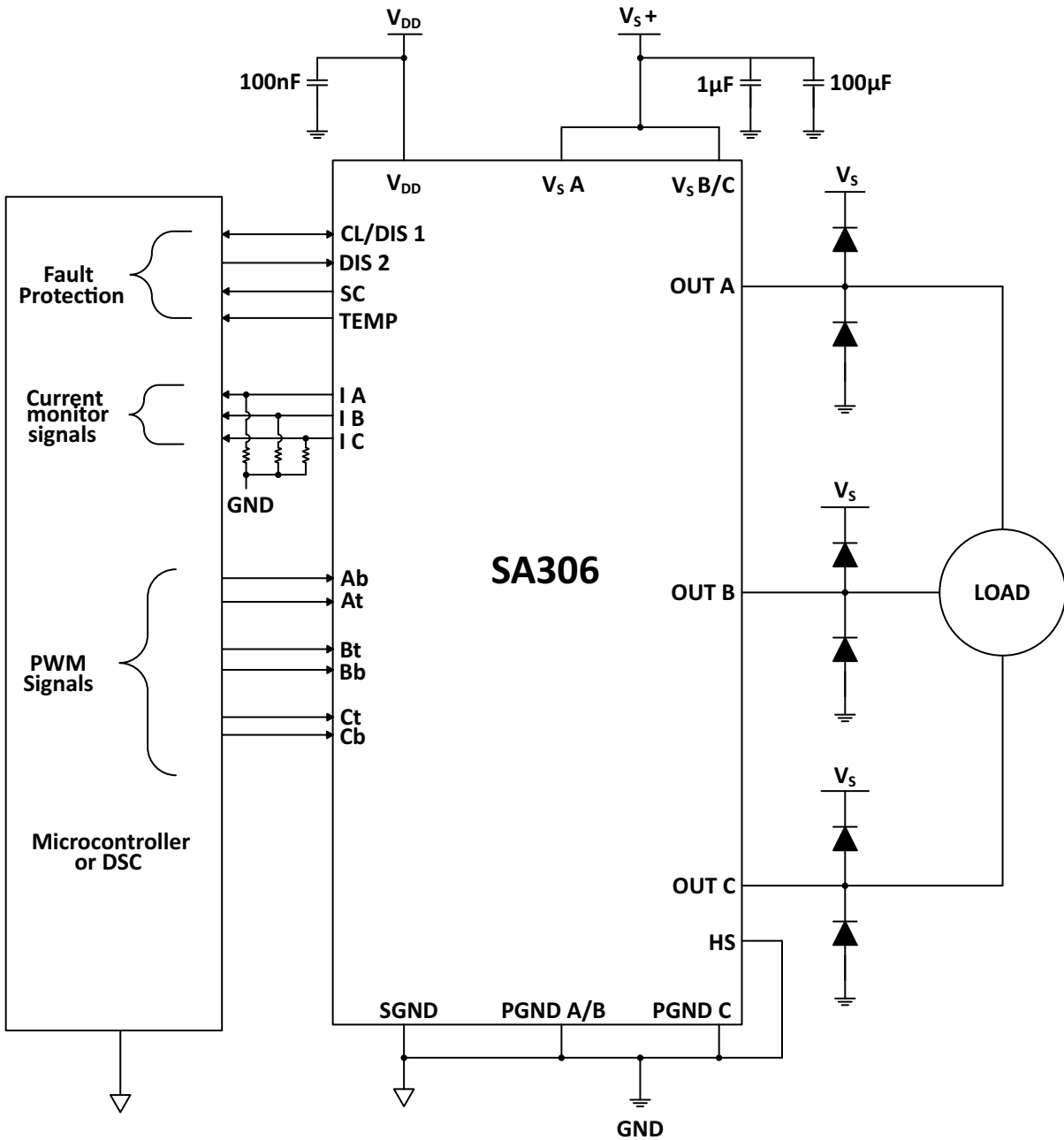
The SA306A is a fully integrated switching amplifier designed primarily to drive three-phase Brushless DC (BLDC) motors. Three independent half bridges provide over 15 amperes peak output current under microcontroller or DSC control. Thermal and short circuit monitoring is provided, which generates fault signals for the microcontroller to take appropriate action.

Additionally, cycle-by-cycle current limit offers user programmable hardware protection independent of the microcontroller. Output current is measured using an innovative low loss technique. The SA306A is built using a multi-technology process allowing CMOS logic control and complementary DMOS output power devices on the same IC. Use of P-channel high side FETs enables 60V operation without bootstrap or charge pump circuitry.

The HSOP surface mount package balances excellent thermal performance with the advantages of a low profile surface mount package.

TYPICAL CONNECTION

Figure 1: Typical Connection



PINOUT AND DESCRIPTION TABLE

Figure 2: External Connections

<u>1</u>	NC	◁	HS	<u>44</u>
<u>2</u>	NC		NC	<u>43</u>
<u>3</u>	NC		PGND C	<u>42</u>
<u>4</u>	NC		PGND C	<u>41</u>
<u>5</u>	Cb		PGND C	<u>40</u>
<u>6</u>	Ct		OUT C	<u>39</u>
<u>7</u>	I C		OUT C	<u>38</u>
<u>8</u>	SC		V _s _B/C	<u>37</u>
<u>9</u>	I B		V _s _B/C	<u>36</u>
<u>10</u>	CL/DIS1		V _s _B/C	<u>35</u>
<u>11</u>	SGND		OUT B	<u>34</u>
<u>12</u>	Bt		OUT B	<u>33</u>
<u>13</u>	Bb		PGND A/B	<u>32</u>
<u>14</u>	Ab		PGND A/B	<u>31</u>
<u>15</u>	At		PGND A/B	<u>30</u>
<u>16</u>	V _{DD}		OUT A	<u>29</u>
<u>17</u>	I A		OUT A	<u>28</u>
<u>18</u>	DIS2		V _s _A	<u>27</u>
<u>19</u>	TEMP		V _s _A	<u>26</u>
<u>20</u>	NC		V _s _A	<u>25</u>
<u>21</u>	NC		NC	<u>24</u>
<u>22</u>	NC		HS	<u>23</u>

SA306
 (View is opposite heat slug)

Pin Number	Name	Description
5	Cb	Logic high commands C phase lower (bottom) FET to turn on.
6	Ct	Logic high commands C phase upper (top) FET to turn on.
7	IC	Phase C current sense output. Outputs a current proportional to I_D of the upper (top) FET of channel C. Connect to a sense resistor to SGND to monitor current.
8	SC	Short circuit output. When a short circuit condition is experienced on any channel, this pin will go high for 200ns. This does not disable the outputs.
9	IB	Phase B current sense output. Outputs a current proportional to I_D of the upper (top) FET of channel B. Connect to a sense resistor to SGND to monitor current.
10	CL/DIS1	Logic high places all outputs in a high impedance state. Pulling to logic low disables cycle-by-cycle current limit. If unconnected, cycle-by-cycle current limit will be allowed to operate.
11	SGND	Signal ground. Reference all logic circuitry to this pin. Connect to PGND A/B and PGND C as close to the amplifier as possible.
12	Bt	Logic high commands B phase upper (top) FET to turn on.
13	Bb	Logic high commands B phase lower (bottom) FET to turn on.
14	Ab	Logic high commands A phase lower (bottom) FET to turn on.
15	At	Logic high commands A phase upper (top) FET to turn on.
16	Vdd	Voltage supply for logic circuit. Connect 5V supply. The ground terminal of the supply must be connected to SGND.
17	IA	Phase A current sense output. Outputs a current proportional to I_D of the upper (top) FET of channel A. Connect to a sense resistor to SGND to monitor current.
18	DIS2	Logic high places all outputs in a high impedance state. This pin may be left unconnected.
19	TEMP	This pin will go logic high when the die temperature reaches 135°C. This does not disable the outputs.
23, 44	HS	These pins are internally connected to the heat slug. Connect to PGND. Neither the heatslug nor these pins should carry current.
25, 26, 27	Vs A	Voltage supply for channel A.
28, 29	OUT A	The output connection for channel A.
30, 31, 32	PGND A/B	Power ground. These pins are directly connected to the bottom FETs of channels A and B. Connect to SGND and PGND C as close to the amplifier as possible.
33, 34	OUT B	The output connection for channel B.
35, 36, 37	Vs B/C	Voltage supply for channels B and C.
38, 39	OUT C	The output connection for channel C.
40, 41, 42	PGND C	Power ground. These pins are directly connected to the bottom FET of channel C. Connect to SGND and PGND B/C as close to the amplifier as possible.
All Others	NC	No connection.

PIN DESCRIPTIONS

V_S: Supply voltage for the output transistors. These pins require decoupling (1 μ F capacitor with good high frequency characteristics is recommended) to the PGND pins. The decoupling capacitor should be located as close to the V_S and PGND pins as possible. Additional capacitance will be required at the V_S pins to handle load current peaks and potential motor regeneration. Refer to the applications section of this datasheet for additional discussion regarding bypass capacitor selection. Note that V_S (phase A) pins carry only the phase A supply current. V_S (phase B&C) carry supply current for phases B & C. Phase A may be operated at a different supply voltage from phases B & C. Only the B & C supply pins are monitored for undervoltage conditions.

OUT A, OUT B, OUT C: These pins are the power output connections to the load. NOTE: When driving an inductive load, it is recommended that two Schottky diodes with good switching characteristics (fast t_{RR} specs) be connected to each pin so that they are in parallel with the parasitic back-body diodes of the output FETs.

PGND: Power Ground. This is the ground return connection for the output FETs. Return current from the load flows through these pins. PGND is internally connected to SGND through a resistance of a few ohms.

SC: Short Circuit output. If a condition is detected on any output which is not in accordance with the input commands, this indicates a short circuit condition and the SC pin goes high. The SC signal is blanked for approximately 200ns during switching transitions but in high current applications, short glitches may appear on the SC pin. A high state on the SC output will not automatically disable the device. The SC pin includes an internal 12 k Ω series resistor.

Ab, Bb, Cb: These Schmitt triggered logic level inputs are responsible for turning the associated bottom, or lower N-channel output FETs on and off. Logic high turns the bottom N-channel FET on, and a logic low turns the low side N-channel FET off. If Ab, Bb, or Cb is high at the same time that a corresponding At, Bt, or Ct input is high, protection circuitry will turn off both FETs in order to prevent shoot-through current on that output phase. Protection circuitry also includes a dead-time generator, which inserts dead time in the outputs in the case of simultaneous switching of the top and bottom input signals.

At, Bt, Ct: These Schmitt triggered logic level inputs are responsible for turning the associated top side, or upper P-channel FET outputs on and off. Logic high turns the top P-channel FET on, and a logic low turns the top P-channel FET off.

Ia, Ib, Ic: Current sense pins. The SA306A supplies a positive current to these pins which is proportional to the current flowing through the top side P-channel FET for that phase. Commutating currents flowing through the back-body diode of the P-channel FET or through external Schottky diodes are not registered on the current sense pins. Nor do currents flowing through the low side N-channel FET, in either direction, register at the current sense pins. A resistor connected from a current sense pin to SGND creates a voltage signal representation of the phase current that can be monitored with ADC inputs of a processor or external circuitry.

The current sense pins are also internally compared with the current limit threshold voltage reference, V_{th}. If the voltage on any current sense pin exceeds V_{th}, the cycle by cycle current limit circuit engages. Details of this functionality are described in the applications section of this datasheet.

CL/DIS1: This pin is directly connected to the disable circuitry of the SA306A. Pulling this pin to logic high places OUT A, OUT B, and OUT C in a high impedance state. This pin is also connected internally to the output of the current limit latch through a 12 k Ω resistor and can be monitored to observe the function of the cycle-by-cycle current limit feature. Pulling this pin to a logic low effectively disables the cycle-by-cycle current limit feature.

SGND: This is the ground return connection for the V_{DD} logic power supply pin. All internal analog and logic circuitry is referenced to this pin. PGND is internally connected to GND through a resistance of a few

ohms. However, it is highly recommended to connect the GND pin to the PGND pins externally as close to the device as possible. Failure to do this may result in oscillations on the output pins during rising or falling edges.

V_{DD}: This is the connection for the 5V power supply, and provides power for the logic and analog circuitry in the SA306A. This pin requires decoupling (at least 0.1 μ F capacitor with good high frequency characteristics is recommended) to the SGND pin.

DIS2: The DIS2 pin is a Schmitt triggered logic level input that places OUT A, OUT B, and OUT C in a high impedance state when pulled high. DIS2 has an internal 12 k Ω pull-down resistor and may therefore be left unconnected.

TEMP: This logic level output goes high when the die temperature of the SA306A reaches approximately 135°C. This pin WILL NOT automatically disable the device. The TEMP pin includes a 12 k Ω series resistor.

HS: These pins are internally connected to the thermal slug on the reverse of the package. They should be connected to GND. Neither the heat slug nor these pins should be used to carry high current.

NC: These “no-connect” pins should be left unconnected.

SPECIFICATIONS

All Min/Max characteristics and specifications are guaranteed over the Specified Operating Conditions. Typical performance characteristics and specifications are derived from measurements taken at typical supply voltages and $T_C = 25^\circ\text{C}$.

ABSOLUTE MAXIMUM RATINGS

Parameter	Symbol	Min	Max	Units
Supply Voltage	V_S		60	V
Supply Voltage	V_{DD}		5.5	V
Logic Input Voltage		(-0.5)	($V_{DD}+0.5$)	V
Output Current, peak, 10ms ¹	I_O		17	A
Power Dissipation, average, 25°C ¹	P_D		100	W
Temperature, junction ²	T_J		150	°C
Temperature Range, storage		-65	+125	°C
Operating Temperature Range, case	T_C	-40	+125	°C

1. Long term operation at elevated temperature will result in reduced product life. De-rate internal power dissipation to achieve high MTBF.
2. Output current rating may be limited by duty cycle, ambient temperature, and heat sinking. Under any set of conditions, do not exceed the specified current rating or a junction temperature of 150°C.

LOGIC

Parameter	Test Conditions	Min	Typ	Max	Units
Input Low				0.8	V
Input High		2.0			V
Output Low				0.3	V
Output High		3.7			V
Output Current (SC, Temp, CL/ DIS1)			50		mA

POWER SUPPLY

Parameter	Test Conditions	Min	Typ	Max	Units
V_S		UVLO	50	60	V
V_S Undervoltage Lockout, (UVLO)			9		V
V_{DD}		4.5		5.5	V
Supply Current, V_S	20 kHz (One phase switching at 50% duty cycle), $V_S = 50V$, $V_{DD} = 5V$		25	30	mA
Supply Current, V_{DD}	20 kHz (One phase switching at 50% duty cycle), $V_S = 50V$, $V_{DD} = 5.5V$		5	6.5	mA

CURRENT LIMIT

Parameter	Test Conditions	Min	Typ	Max	Units
Current Limit Threshold (V_{th})			3.95		V
V_{th} Hysteresis			100		mV

OUTPUT

Parameter	Test Conditions	Min	Typ	Max	Units
Current, continuous	25°C Case Temperature	8			A
Rising Delay, TD (rise)	See Figure 19		270		ns
Falling Delay, TD (fall)	See Figure 19		270		ns
Disable Delay, TD (dis)	See Figure 19		200		ns
Enable Delay, TD (<u>dis</u>)	See Figure 19		200		ns
Rise Time, t (rise)	See Figure 20		50		ns
Fall Time, t (fall)	See Figure 20		50		ns
On Resistance Sourcing (P-Channel)	5A Load		300	600	mΩ
On Resistance Sinking (N-Channel)	5A Load		250	600	mΩ

THERMAL

Parameter	Test Conditions	Min	Typ	Max	Units
Thermal Warning			135		°C
Thermal Warning Hysteresis			40		°C
Resistance, junction to case	Full temp range		1.25	1.5	°C/W
Temperature Range, case	Meets Specs	-40		+125	°C

TYPICAL PERFORMANCE GRAPHS

Figure 3: V_S Supply Current

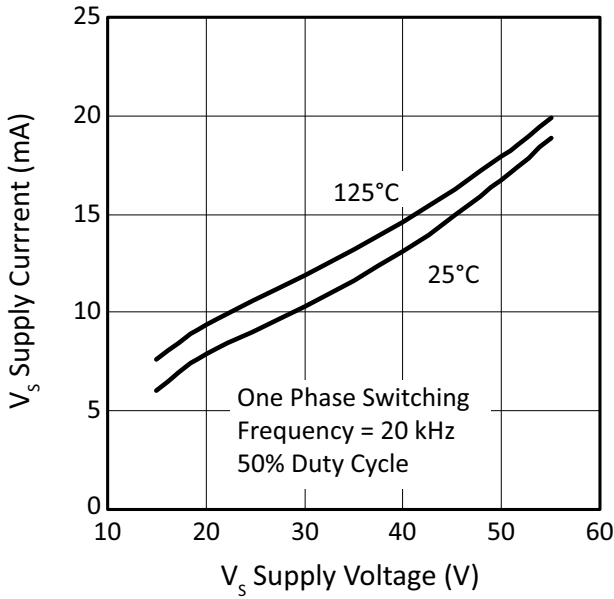


Figure 4: V_S Supply Current

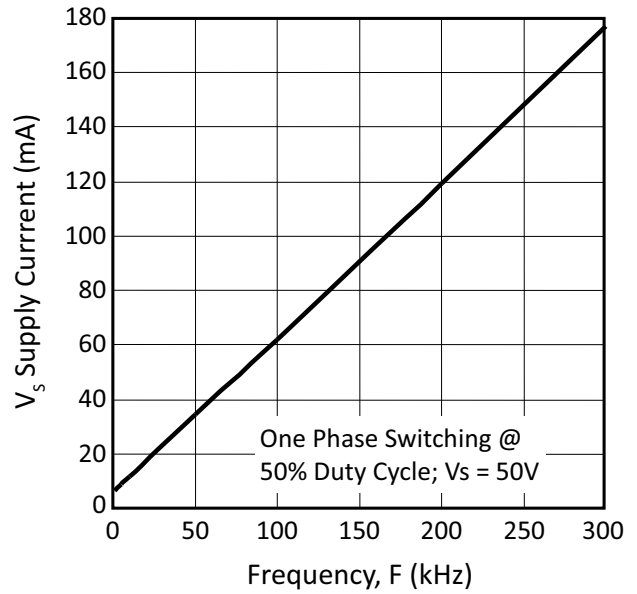


Figure 5: Current Sense

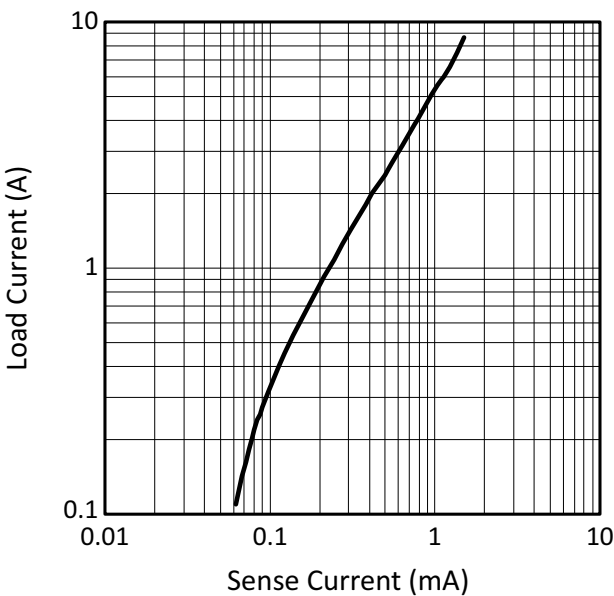


Figure 6: V_{DD} Supply Current

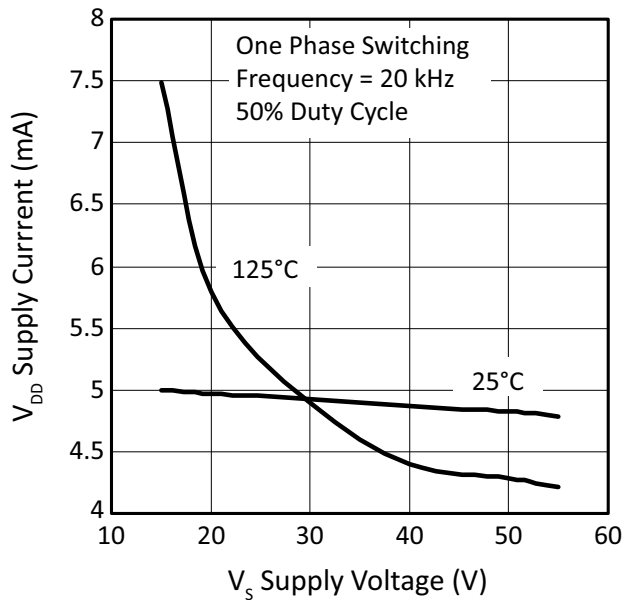


Figure 7: V_{DD} Supply Current

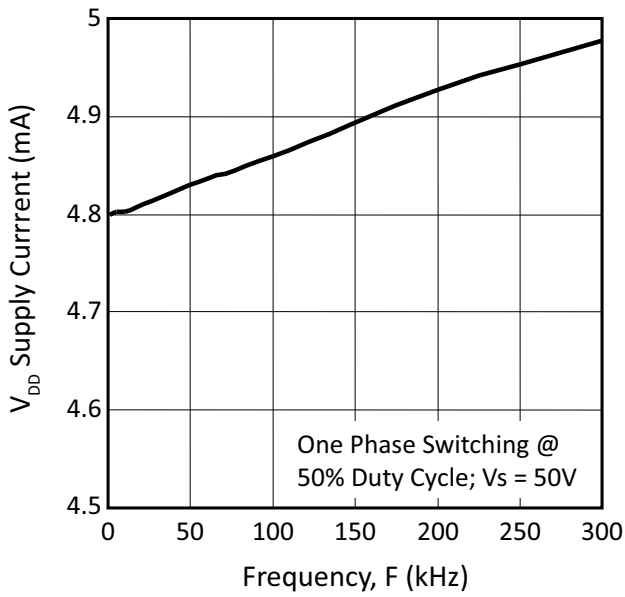


Figure 8: Power Derating

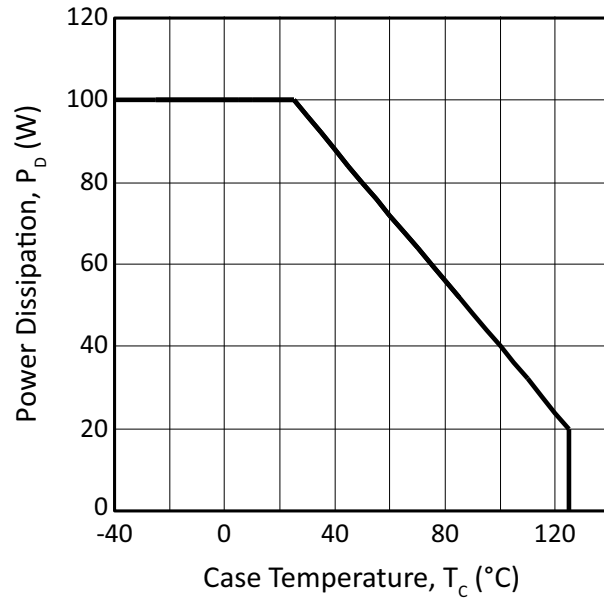


Figure 9: On Resistance - Bottom FET

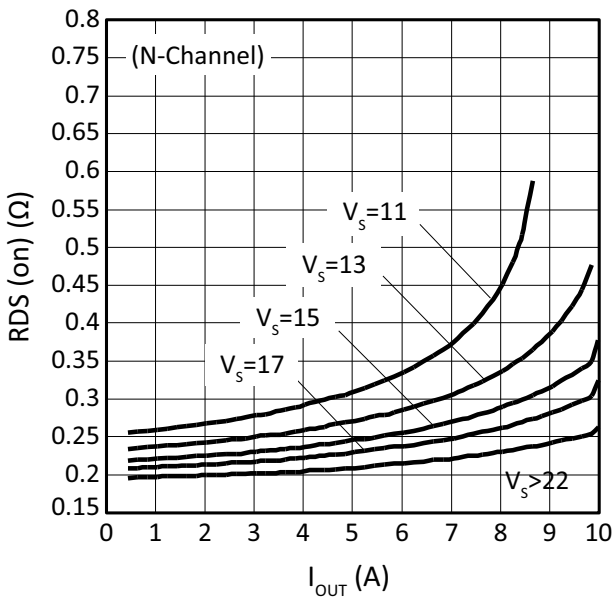


Figure 10: On Resistance - Top FET

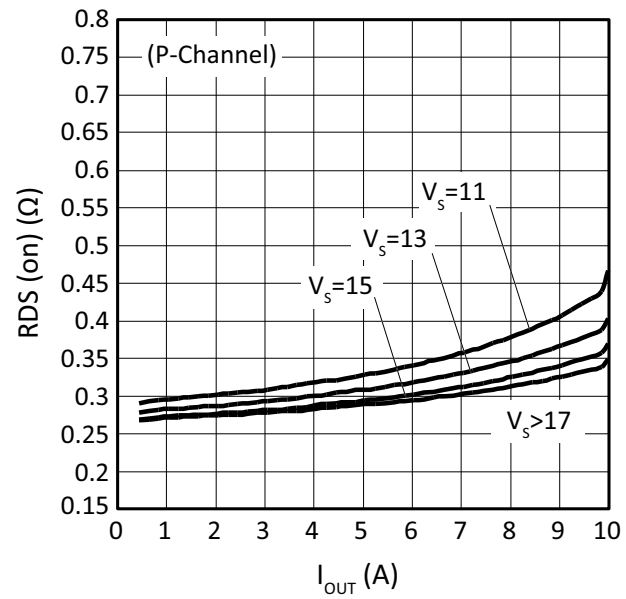


Figure 11: Diode Forward Voltage -
Bottom FET

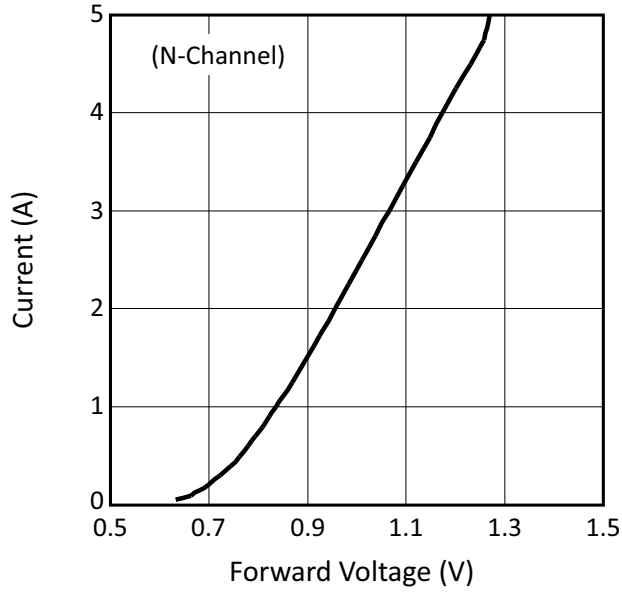
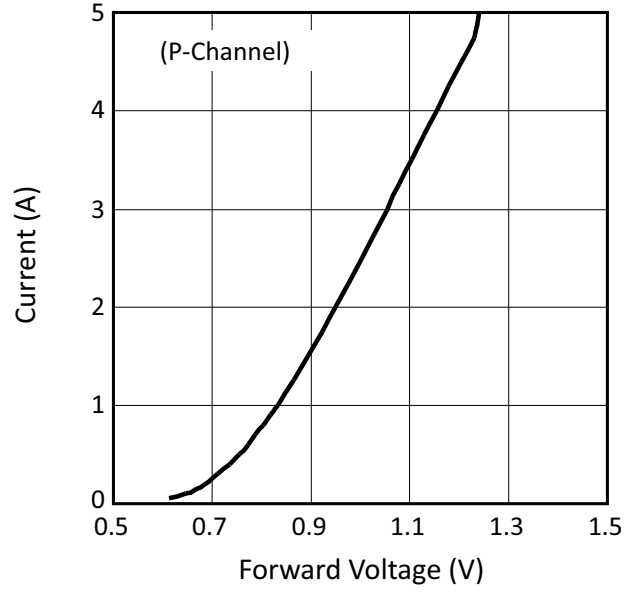


Figure 12: Diode Forward Voltage -
Top FET



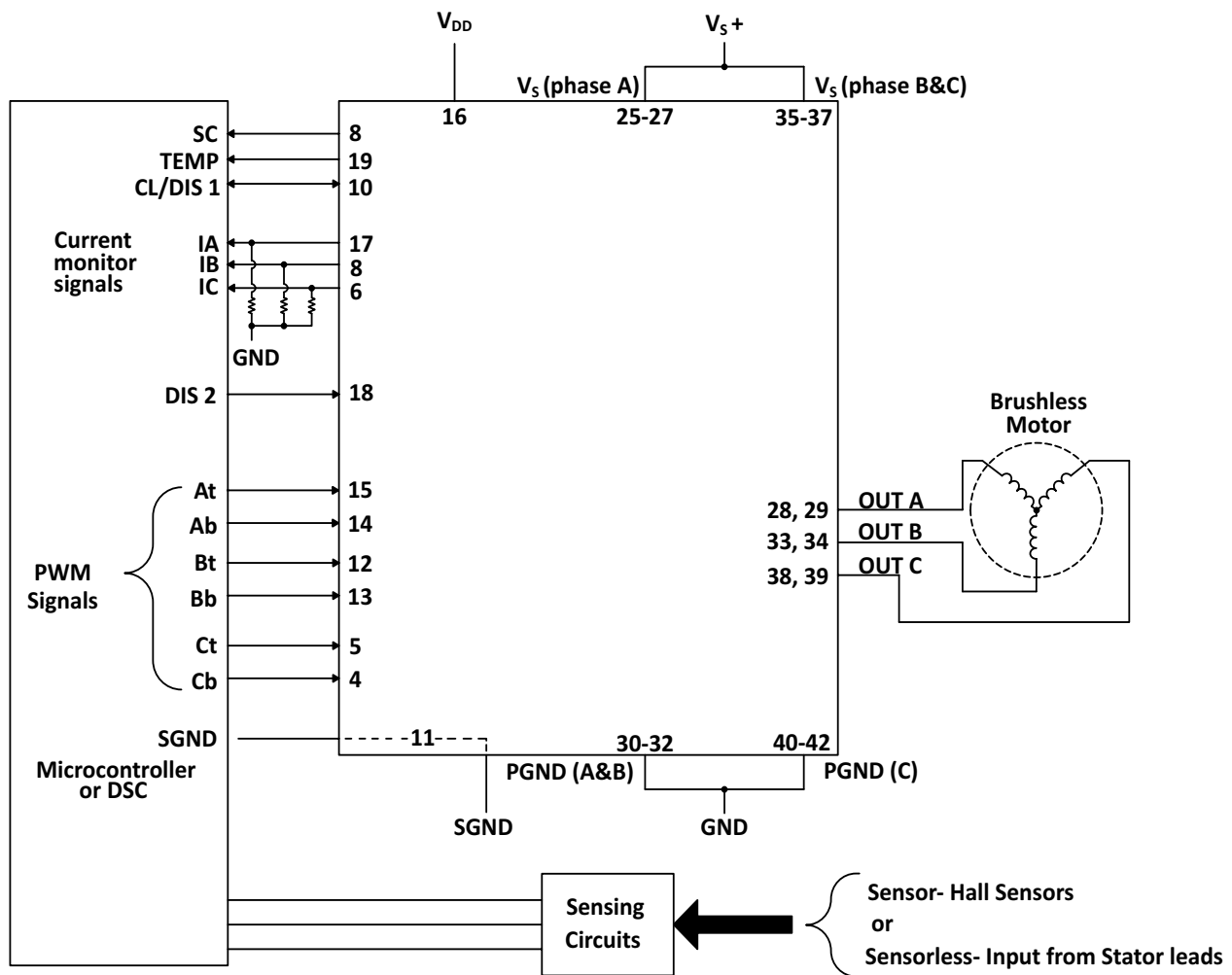
GENERAL

Please read Application Note 1 “General Operating Considerations” which covers stability, supplies, heat sinking, mounting, current limit, SOA interpretation, and specification interpretation. Visit www.apexanalog.com for Apex Microtechnology’s complete Application Notes library, Technical Seminar Workbook, and Evaluation Kits.

SA306A OPERATION

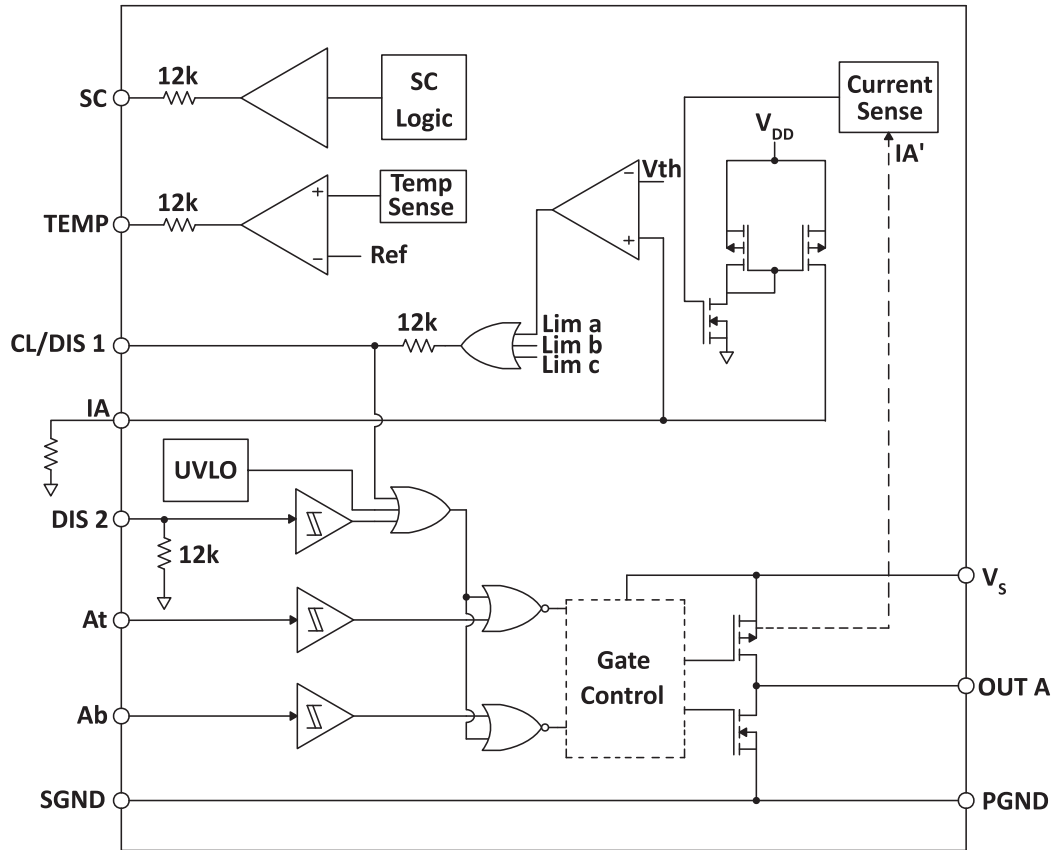
The SA306A is designed primarily to drive three phase motors. However, it can be used for any application requiring three high current outputs. The signal set of the SA306A is designed specifically to interface with a DSP or microcontroller. A typical system block diagram is shown in the figure below. Over-temperature, Short-Circuit and Current Limit fault signals provide important feedback to the system controller which can safely disable the output drivers in the presence of a fault condition. High side current monitors for all three phases provide performance information which can be used to regulate or limit torque.

Figure 13: System Diagram



The block diagram in Figure 14 illustrates the features of the input and output structures of the SA306A. For simplicity, a single phase is shown.

Figure 14: Input and Output Structures for a Single Phase



TRUTH TABLE

At, Bt, Ct	Ab, Bb, Cb	Ia, Ib, Ic	I _{LIM} /DIS1	DIS2	Out A, Out B, Out C	Comments
0	0	X	X	X	High-Z	Top and Bottom output FETs for that phase are turned off.
0	1	<V _{th}	0	0	PGND	Bottom output FET for that phase is turned on.
1	0	<V _{th}	0	0	VS	Top output FET for that phase is turned on.
1	1	X	X	X	High-Z	Both output FETs for that phase are turned off.
X	X	>V _{th}	1	X	High-Z	Voltage on Ia, Ib, or Ic has exceeded V _{th} , which causes I _{LIM} /DIS1 to go high. This internally disables Top and Bottom output FETs for ALL phases.
X	X	X	X	1	High-Z	DIS2 pin pulled high, which disables all outputs.
X	X	X	Pulled High	X	High-Z	Pulling the I _{LIM} /DIS1 pin high externally acts as a second disable input, which disables ALL output FETs.
X	X	X	Pulled Low	0	Determined by PWM inputs	Pulling the I _{LIM} /DIS1 pin low externally disables the cycle-by-cycle current limit function. The state of the outputs is strictly a function of the PWM inputs.
X	X	X	X	X	High-Z	If V _S is below the UVLO threshold all output FETs will be disabled.

LAYOUT CONSIDERATIONS

Output traces carry signals with very high dV/dt and dI/dt. Proper routing and adequate power supply bypassing ensures normal operation. Poor routing and bypassing can cause erratic and low efficiency operation as well as ringing at the outputs.

The V_S supply should be bypassed with a surface mount ceramic capacitor mounted as close as possible to the V_S pins. Total inductance of the routing from the capacitor to the V_S and GND pins must be kept to a minimum to prevent noise from contaminating the logic control signals. A low ESR capacitor of at least 25μF per ampere of output current should be placed near the SA306A as well. Capacitor types rated for switching applications are the only types that should be considered. Note that phases B & C share a V_S connection and the bypass recommendation should reflect the sum of B & C phase current.

The bypassing requirements of the V_{DD} supply are less stringent, but still necessary. A 0.1μF to 0.47μF surface mount ceramic capacitor (X7R or NPO) connected directly to the V_{DD} pin is sufficient.

SGND and PGND pins are connected internally. However, these pins must be connected externally in such a way that there is no motor current flowing in the logic and signal ground traces as parasitic resistances in the small signal routing can develop sufficient voltage drops to erroneously trigger input transitions. Alternatively, a ground plane may be separated into power and logic sections connected by a pair of back to back Schottky diodes. This isolates noise between signal and power ground traces and prevents high currents from passing between the plane sections.

Unused area on the top and bottom PCB planes should be filled with solid or hatched copper to minimize inductive coupling between signals. The copper fill may be left unconnected, although a ground plane is recommended.

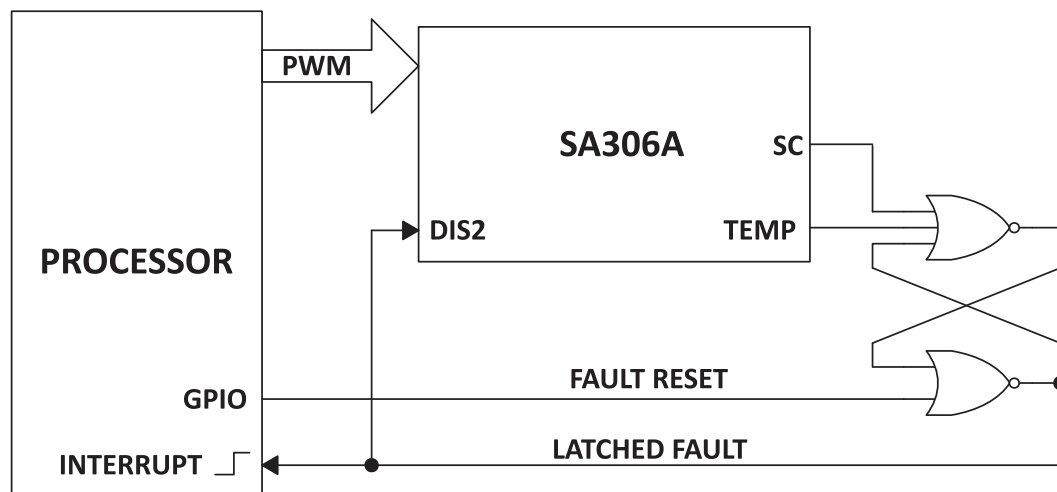
FAULT INDICATIONS

In the case of either an over-temperature or short circuit fault, the SA306A will take no action to disable the outputs. Instead, the SC and TEMP signals are provided to an external controller, where a determination can be made regarding the appropriate course of action. In most cases, the SC pin would be connected to a FAULT input on the processor, which would immediately disable its PWM outputs. The TEMP fault does not require such an immediate response, and would typically be connected to a GPIO, or Keyboard Interrupt pin of the processor. In this case, the processor would recognize the condition as an external interrupt, which could be processed in software via an Interrupt Service Routine. The processor could optionally bring all inputs low, or assert a high level to either of the disable inputs on the SA306A.

Figure 15 shows an external SR flip-flop which provides a hard wired shutdown of all outputs in response to a fault indication. An SC or TEMP fault sets the latch, pulling the disable pin high. The processor clears the latched condition with a GPIO. This circuit can be used in safety critical applications to remove software from the fault-shutdown loop, or simply to reduce processor overhead.

In applications which may not have available GPIO, the TEMP pin may be externally connected to the adjacent DIS2 pin. If the device temperature reaches $\sim 135^{\circ}\text{C}$ all outputs will be disabled, de-energizing the motor. The SA306A will re-energize the motor when the device temperature falls below approximately 95°C . The TEMP pin hysteresis is wide to reduce the likelihood of thermal oscillations which can greatly reduce the life of the device.

Figure 15: External Full Latch Circuit



UNDER-VOLTAGE LOCKOUT

The undervoltage lockout condition results in the SA306A unilaterally disabling all output FETs until V_{ζ} is above the UVLO threshold indicated in the spec table. There is no external signal indicating that an undervoltage lockout condition is in progress. The SA306A has two V_{ζ} connections: one for phase A, and another for phases B & C. The supply voltages on these pins need not be the same, but the UVLO will engage if either is below the threshold. Hysteresis on the UVLO circuit prevents oscillations with typical power supply variations.

CURRENT SENSE

External power shunt resistors are not required with the SA306A. Forward current in each top, P-channel output FET is measured and mirrored to the respective current sense output pin, Ia, Ib and Ic. By connecting a resistor between each current sense pin and a reference, such as ground, a voltage develops across the resistor that is proportional to the output current for that phase. An ADC can monitor the voltages on these resistors for protection or for closed loop torque control in some application configurations. The current sense pins source current from the V_{DD} supply. Headroom required for the current sense circuit is approximately 0.5V. The nominal scale factor for each proportional output current is shown in the typical performance plot on pages 9 - 11 of this datasheet.

CYCLE-BY-CYCLE CURRENT LIMIT

In applications where the current in the motor is not directly controlled, both the average current rating of the motor and the inrush current must be considered when selecting a proper amplifier. For example, a 1A continuous motor might require a drive amplifier that can deliver well over 10A peak in order to survive the inrush condition at start-up.

Because the output current of each upper output FET is measured, the SA306A is able to provide a very robust current limit scheme. This enables the SA306A to safely and easily drive virtually any brushless motor through a start-up inrush condition. With limited current, the starting torque and acceleration are also limited. The plot in Figure 16 shows starting current and back EMF with and without current limit enabled. If the voltage of any of the three current sense pins exceeds the current limit threshold voltage (V_{th}), all outputs are disabled. After all current sense pins fall below the V_{th} threshold voltage AND the offending phase's top side input goes low, the output stage will return to an active state on the rising edge of ANY top side input command signal (At, Bt, or Ct). With most commutation schemes, the current limit will reset each PWM cycle. This scheme regulates the peak current in each phase during each PWM cycle as illustrated in the timing diagram below. The ratio of average to peak current depends on the inductance of the motor winding, the back EMF developed in the motor, and the width of the pulse.

Figure 17 illustrates the current limit trigger and reset sequence. Current limit engages and CL/DIS1 goes high when any current sense pin exceeds V_{th} . Notice that the moment at which the current sense signal exceeds the V_{th} threshold is asynchronous with respect to the input PWM signal. The difference between the PWM period and the motor winding L/R time constant will often result in an audible beat frequency sometimes called a sub-cycle oscillation. This oscillation can be seen on the CL/DIS1 pin waveform in Figure 17.

Input signals commanding 0% or 100% duty cycle may be incompatible with the current limit feature due to the absence of rising edges of At, Bt, and Ct except when commutating phases. At high RPM, this may result in poor performance. At low RPM, the motor may stall if the current limit trips and the motor current reaches zero without a commutation edge which will typically reset the current limit latch.

The current limit feature may be disabled by tying the CL/DIS1 pin to GND. The current sense pins will continue to provide top FET output current information.

Typically, the current sense pins source current into grounded resistors which provide voltages to the current limit comparators. If instead the current limit resistors are connected to a voltage output DAC, the current limit can be controlled dynamically from the system controller. This technique essentially reduces the current limit threshold voltage to ($V_{th}-V_{DAC}$). During expected conditions of high torque demand, such as start-up or reversal, the DAC can adjust the current limit dynamically to allow periods of high current. In normal operation when low current is expected, the DAC output voltage can increase, reducing the current limit setting to provide more conservative fault protection.

Figure 16: Start-up Voltage and Current

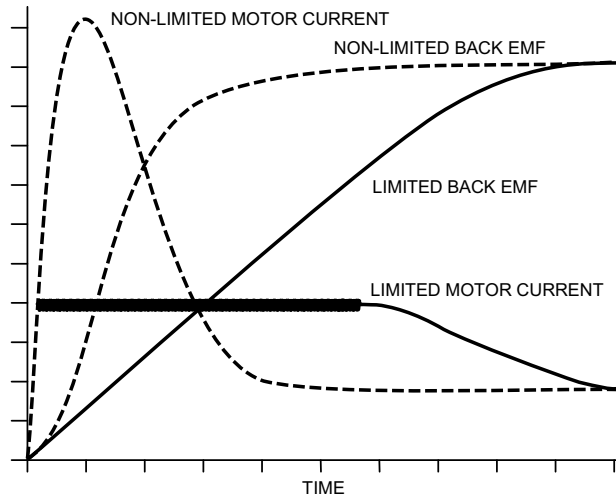
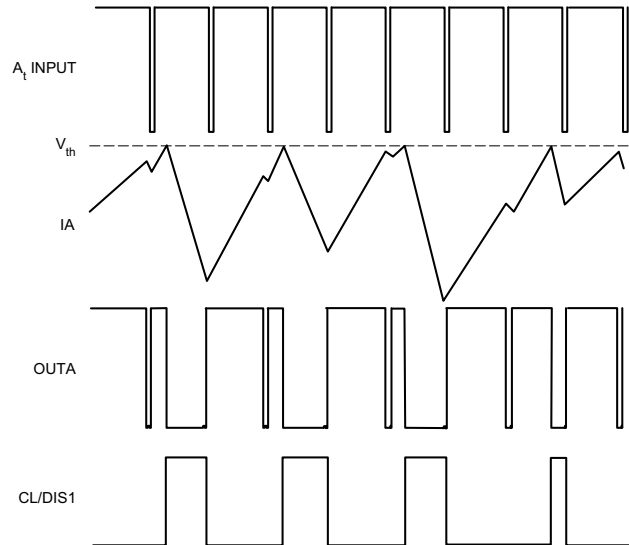


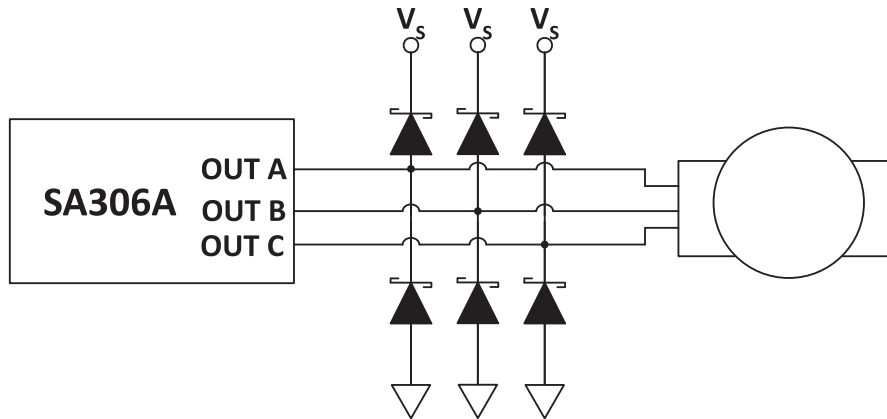
Figure 17: Current Limit Waveforms



EXTERNAL FLYBACK DIODES

External fly-back diodes will offer superior reverse recovery characteristics and lower forward voltage drop than the internal back-body diodes. In high current applications, external flyback diodes can reduce power dissipation and heating during commutation of the motor current. Reverse recovery time and capacitance are the most important parameters to consider when selecting these diodes. Ultra-fast rectifiers offer better reverse recovery time and Schottky diodes typically have low capacitance. Individual application requirements will be the guide when determining the need for these diodes and for selecting the component which is most suitable.

Figure 18: Schottky Diodes



POWER DISSIPATION

The thermally enhanced package of the SA306A allows several options for managing the power dissipated in the three output stages. Power dissipation in traditional PWM applications is a combination of output power dissipation and switching losses. Output power dissipation depends on the quadrant of operation and whether external flyback diodes are used to carry the reverse or commutating currents. Switching losses are dependent on the frequency of the PWM cycle as described in the typical performance graphs.

Figure 19: Timing Diagrams

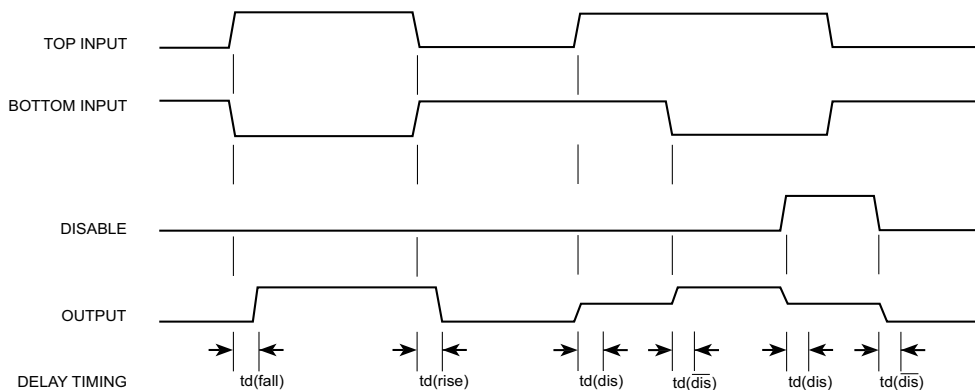
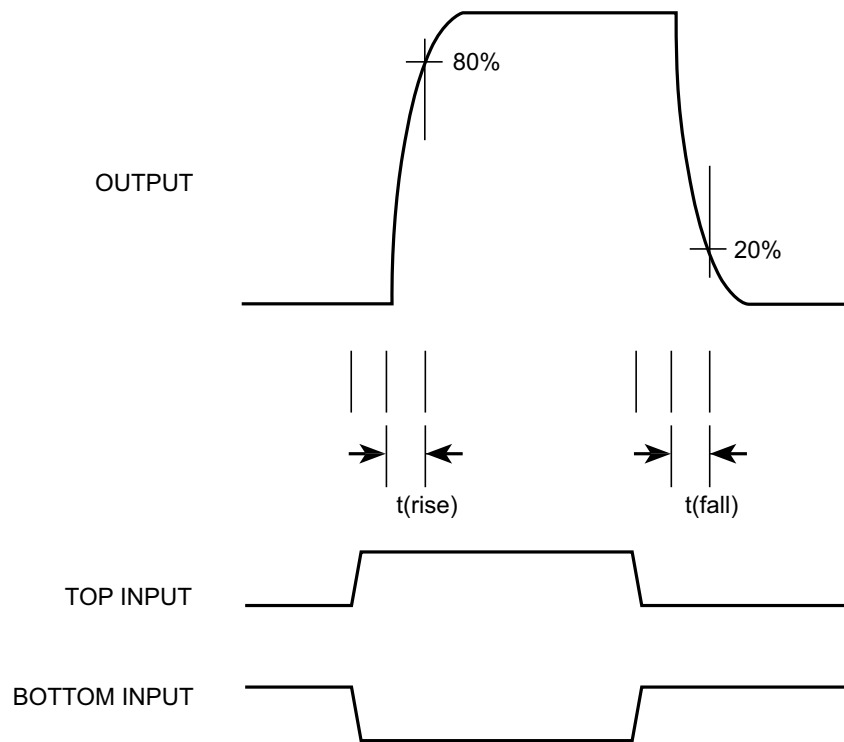
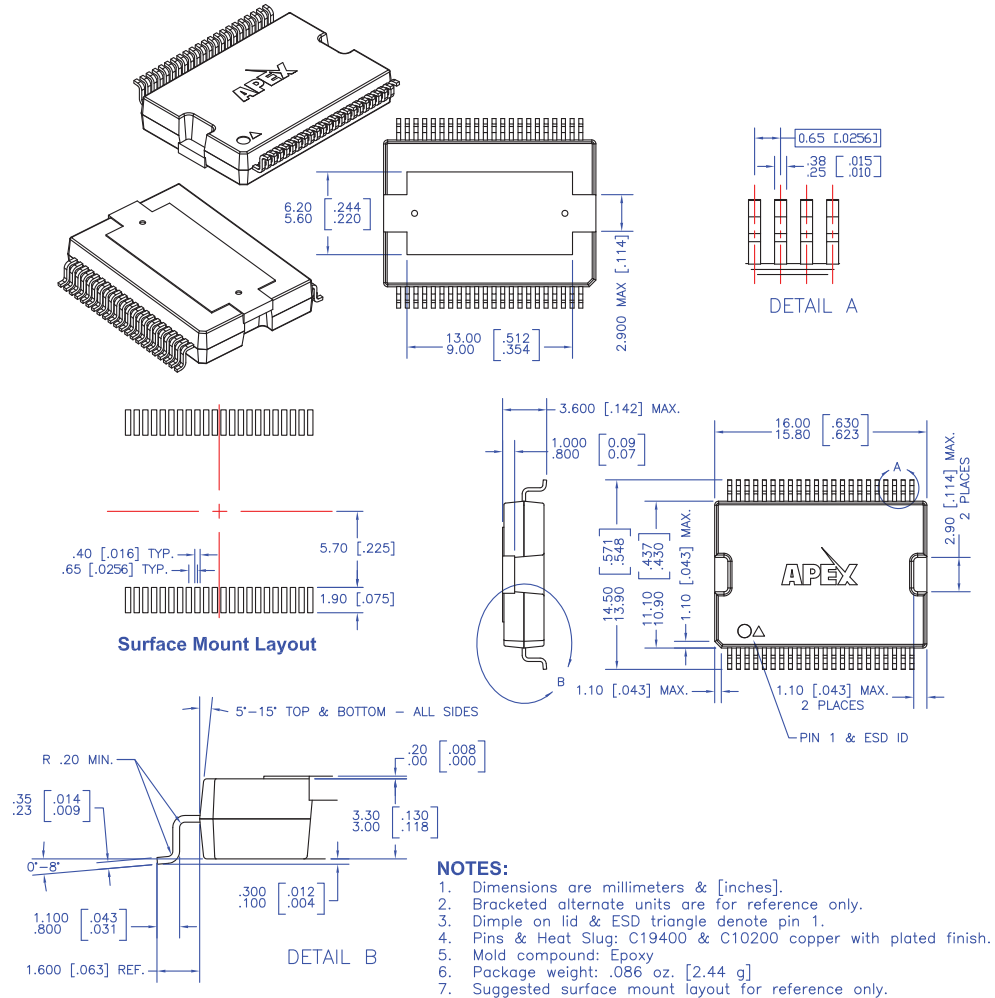


Figure 20: Output Response



PACKAGE STYLE HU



NEED TECHNICAL HELP? CONTACT APEX SUPPORT!

For all Apex Microtechnology product questions and inquiries, call toll free 800-546-2739 in North America. For inquiries via email, please contact apex.support@apexanalog.com. International customers can also request support by contacting their local Apex Microtechnology Sales Representative. To find the one nearest to you, go to www.apexanalog.com

IMPORTANT NOTICE

Apex Microtechnology, Inc. has made every effort to insure the accuracy of the content contained in this document. However, the information is subject to change without notice and is provided "AS IS" without warranty of any kind (expressed or implied). Apex Microtechnology reserves the right to make changes without further notice to any specifications or products mentioned herein to improve reliability. This document is the property of Apex Microtechnology and by furnishing this information, Apex Microtechnology grants no license, expressed or implied under any patents, mask work rights, copyrights, trademarks, trade secrets or other intellectual property rights. Apex Microtechnology owns the copyrights associated with the information contained herein and gives consent for copies to be made of the information only for use within your organization with respect to Apex Microtechnology integrated circuits or other products of Apex Microtechnology. This consent does not extend to other copying such as copying for general distribution, advertising or promotional purposes, or for creating any work for resale.

APEX MICROTECHNOLOGY PRODUCTS ARE NOT DESIGNED, AUTHORIZED OR WARRANTED TO BE SUITABLE FOR USE IN PRODUCTS USED FOR LIFE SUPPORT, AUTOMOTIVE SAFETY, SECURITY DEVICES, OR OTHER CRITICAL APPLICATIONS. PRODUCTS IN SUCH APPLICATIONS ARE UNDERSTOOD TO BE FULLY AT THE CUSTOMER OR THE CUSTOMER'S RISK.

Apex Microtechnology, Apex and Apex Precision Power are trademarks of Apex Microtechnology, Inc. All other corporate names noted herein may be trademarks of their respective holders.